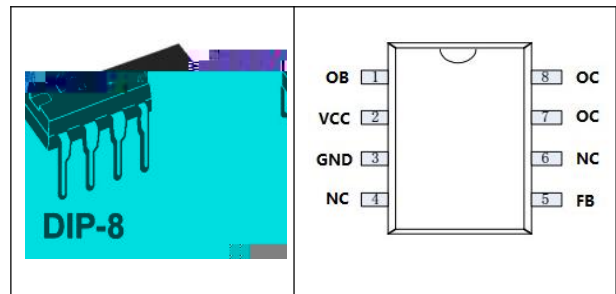
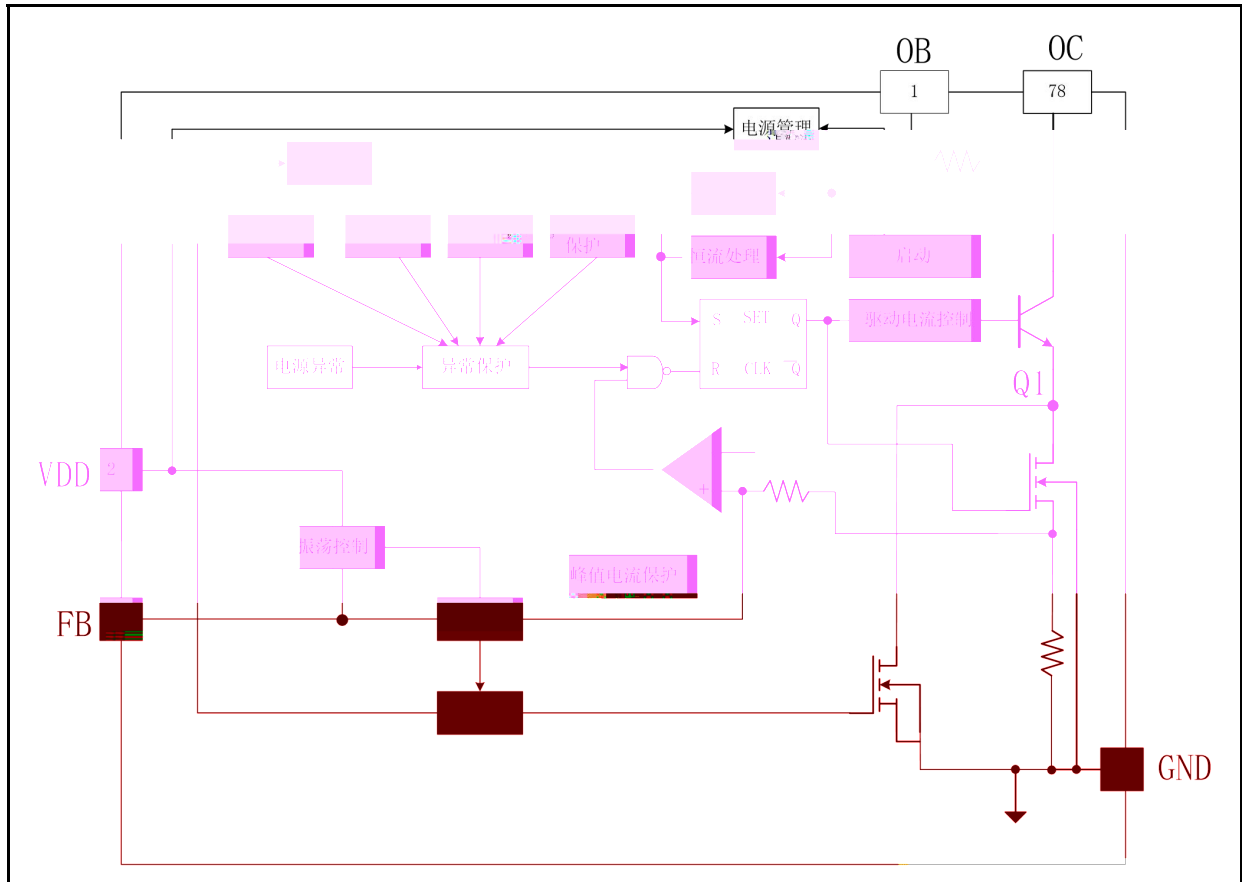


12W

- 
- EMI
- 
- 4KV ESD
- 
- 
- 
- 85V 265V
- 700V
- 
- 
- 65KH PWM
- 
- 



|  |  |            |
|--|--|------------|
|  |  |            |
|  |  | OC         |
|  |  | 10 F 100 F |
|  |  |            |
|  |  | 1nF 10nF   |
|  |  |            |
|  |  |            |



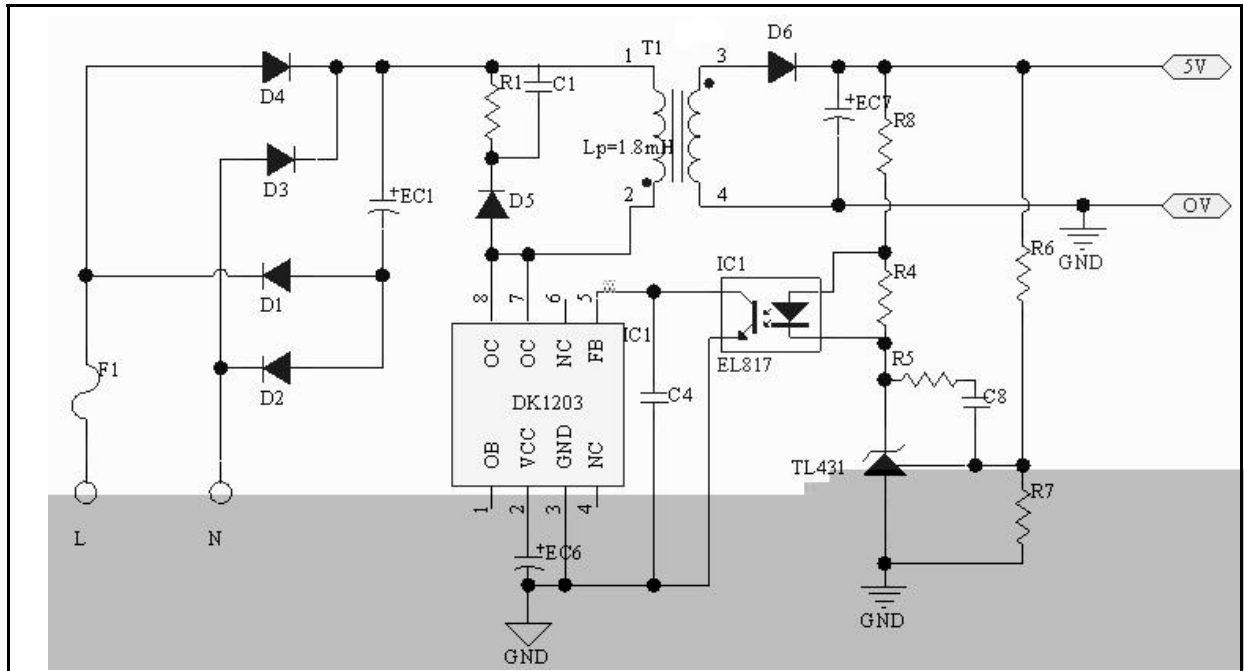
|  |  |  |  |  |  |
|--|--|--|--|--|--|
|  |  |  |  |  |  |
|  |  |  |  |  |  |
|  |  |  |  |  |  |
|  |  |  |  |  |  |
|  |  |  |  |  |  |
|  |  |  |  |  |  |
|  |  |  |  |  |  |
|  |  |  |  |  |  |
|  |  |  |  |  |  |
|  |  |  |  |  |  |

|     |    |              |  |  |  |
|-----|----|--------------|--|--|--|
|     |    |              |  |  |  |
| VCC | AC | 85V-----265V |  |  |  |
| VCC | AC | 85V-----265V |  |  |  |
| VCC | AC | 85V-----265V |  |  |  |
|     | AC | 85V-----265V |  |  |  |
|     |    |              |  |  |  |
|     |    |              |  |  |  |
|     |    |              |  |  |  |
|     |    |              |  |  |  |
|     |    |              |  |  |  |
|     |    |              |  |  |  |
| PWM |    |              |  |  |  |
|     |    |              |  |  |  |
|     |    |              |  |  |  |
|     |    |              |  |  |  |
|     |    |              |  |  |  |
|     |    |              |  |  |  |

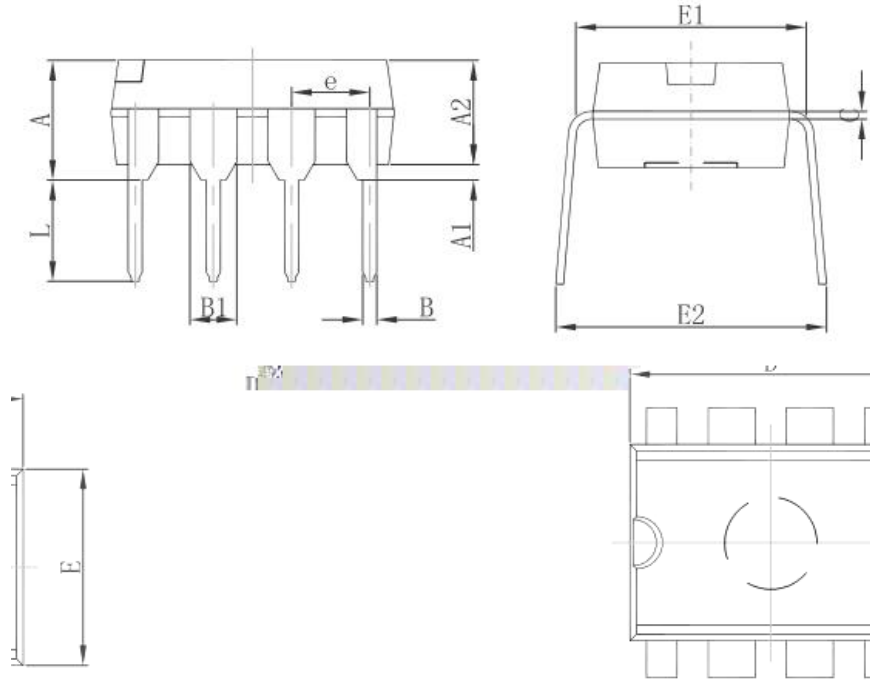
PWM

$\pi$

FB



**DIP-8**

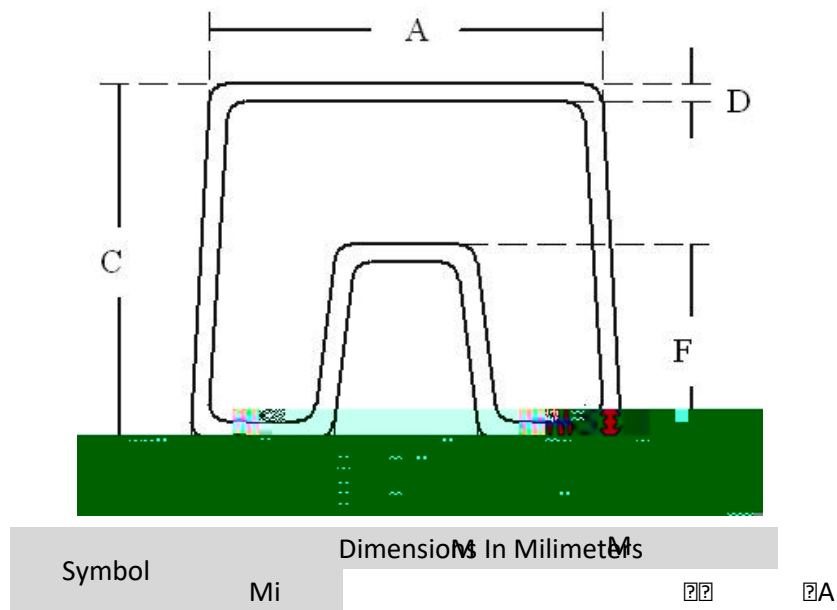


| Symbol | Dimensions In Millimeters |       | Dimensions In Inches |       |
|--------|---------------------------|-------|----------------------|-------|
|        | Min                       | Max   | Min                  | Max   |
| A      | 3.710                     | 4.310 | 0.146                | 0.170 |
| A1     | 0.510                     |       | 0.020                |       |
| A2     | 3.200                     | 3.600 | 0.126                | 0.142 |
| B      | 0.380                     | 0.570 | 0.015                | 0.022 |
| B1     | 1.524(BSC)                |       | 0.060(BSC)           |       |
| C      | 0.204                     | 0.360 | 0.008                | 0.014 |
| D      | 9.000                     | 9.400 | 0.354                | 0.370 |
| E      | 6.200                     | 6.600 | 0.244                | 0.260 |
| E1     | 7.320                     | 7.920 | 0.288                | 0.312 |
| e      | 2.540(BSC)                |       | 0.100(BSC)           |       |
| L      | 3.000                     | 3.600 | 0.118                | 0.142 |
| E2     | 8.400                     | 9.200 | 0.331                | 0.354 |

2.

DIP-8

SCP-8





- 
- 
- 
- 
- 
- 
- 
-