

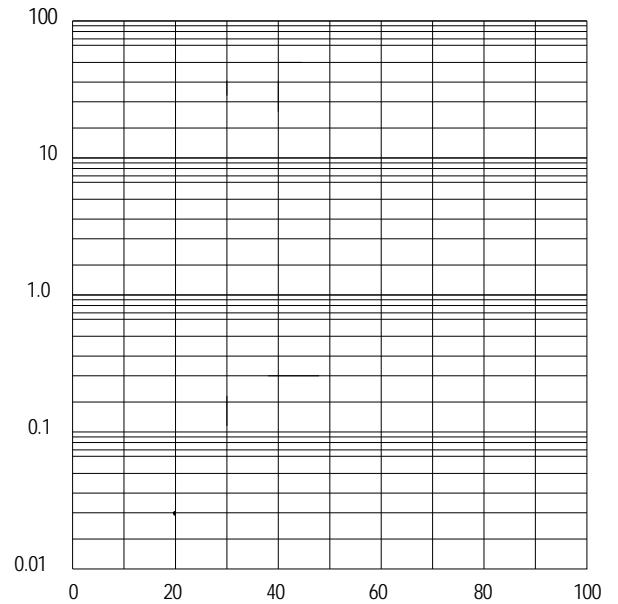
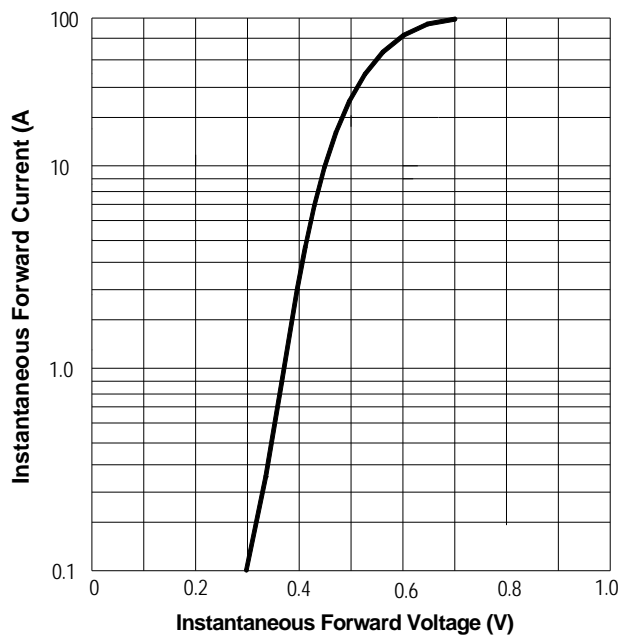


30SQ045

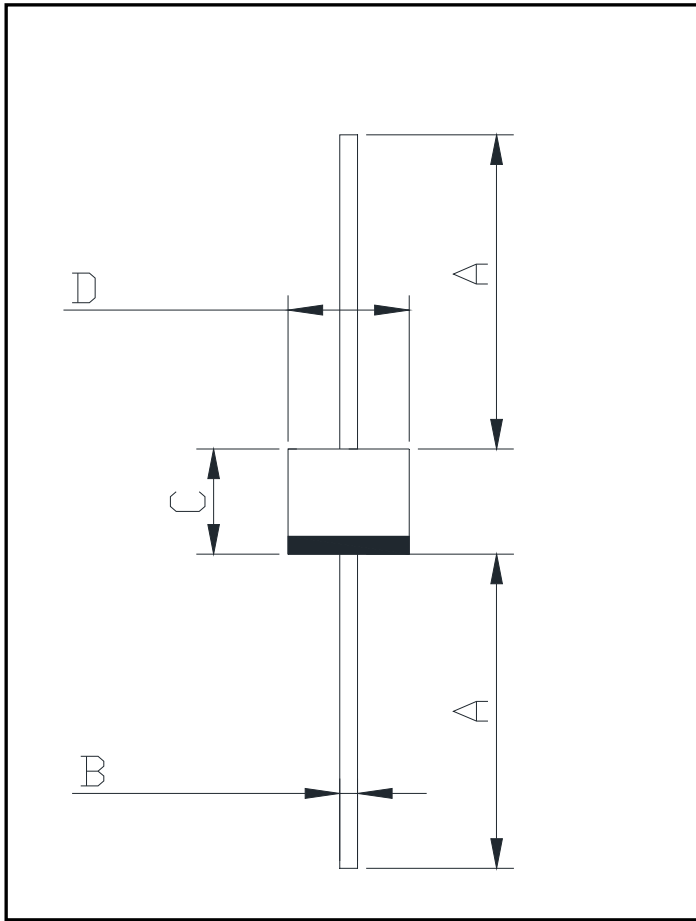
Ordering Information

PREFERED P/N	UNIT WEIGHT(g)	MINIIMUM PACKAGE(pcs)	INNER BOX QUANTITY(pcs)	OUTER CARTON QUANTITY(pcs)	DELIVERY MODE

Characteristics



Outline Dimensions



R-6		



30SQ045

Disclaimer

www.frxelec.com