

DK112

AC-DC

CMOS

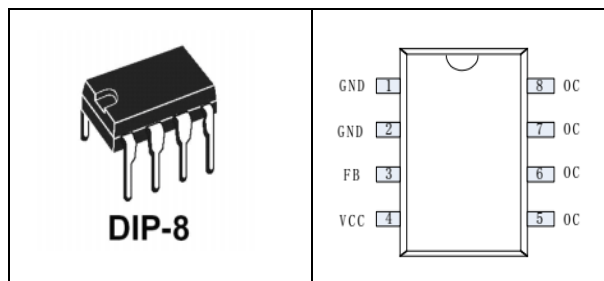
-
-
-
-
-
-
-

-
-
-
-

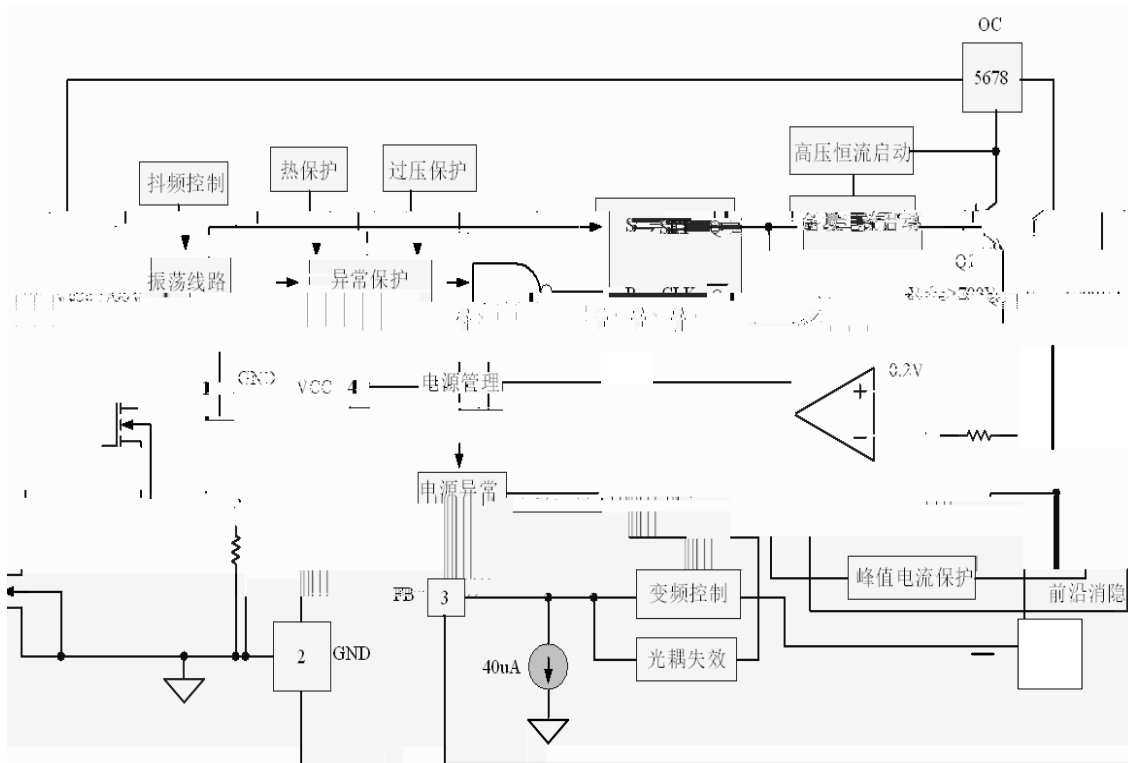
-
-
-

LED

DVD



1	GND	
2	GND	
3	FB	1nF 10nF
4	VCC	10uF 47uF
5,6,7,8	OC	

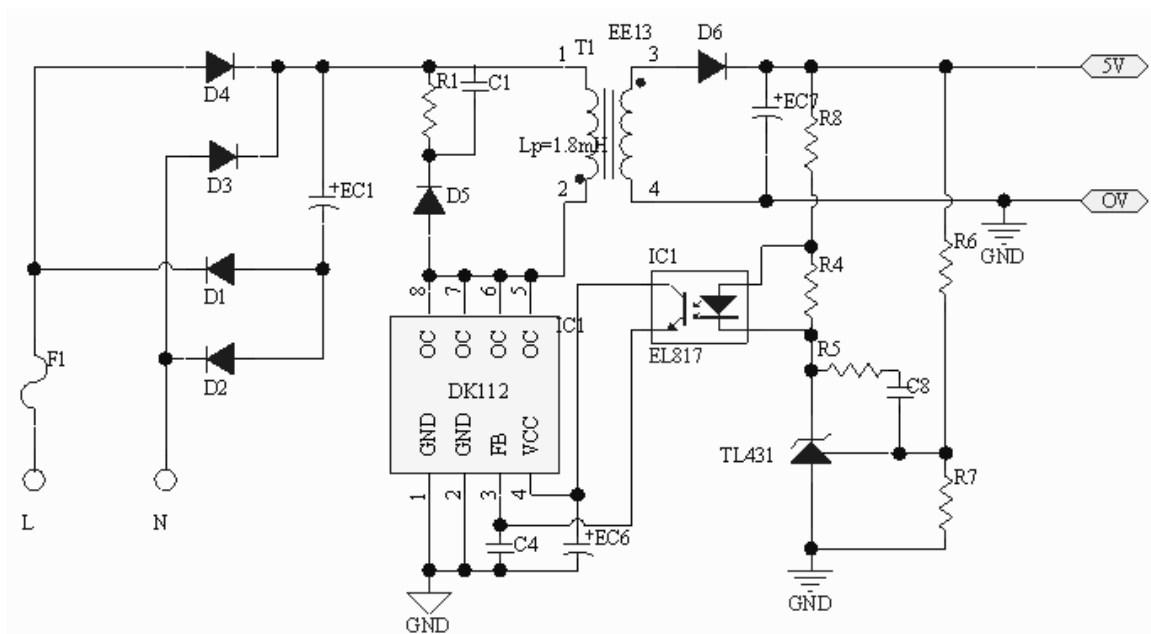


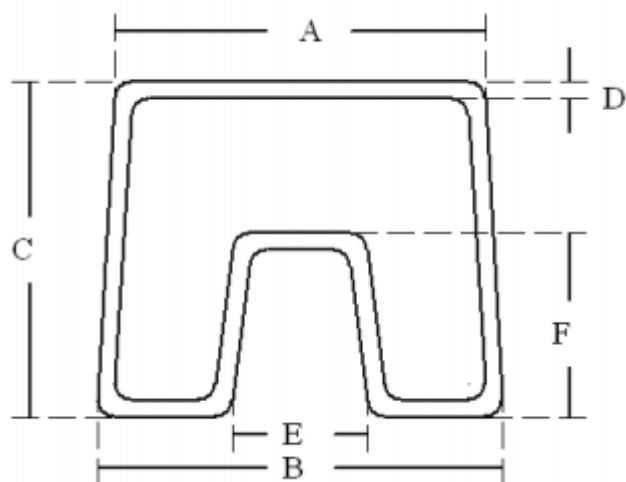
B

B

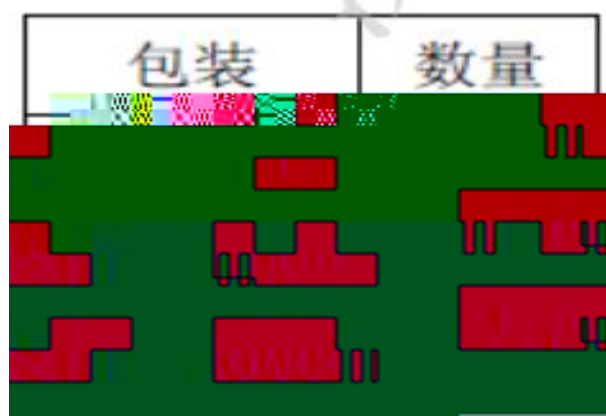
$$T3 = 2\pi\sqrt{Lp * C0c}$$

B





代号	最小值 (mm)	额定值 (mm)	最大值 (mm)
A	11	11.5	12
B	11.5	12	12.5
C	10	10.5	11
D	0.4	0.5	0.6
E	3.5	4	4.5
F	5	5.5	6





-
-
-
-
-
-
-