





# GS10A THRU GS10M

## Thermal Characteristics

PARAMETER	SYMBOL	UNIT	GS10A	GS10B	GS10D	GS10G	GS10J	GS10K	GS10M

## Ordering Information

PREFERRED P/N	PACKAGE CODE	UNIT WEIGHT(g)	MINIMUM PACKAGE(pcs)	INNER BOX QUANTITY(pcs)	OUTER CARTON QUANTITY(pcs)	DELIVERY MODE
GS10A~GS10M						

## Characteristics

FIG.1: I<sub>o</sub>-T<sub>L</sub> Curve

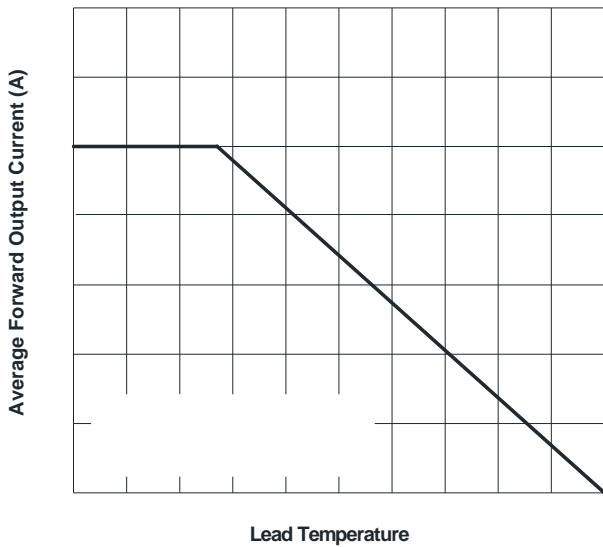


FIG.2: Forward Surge Current Capability

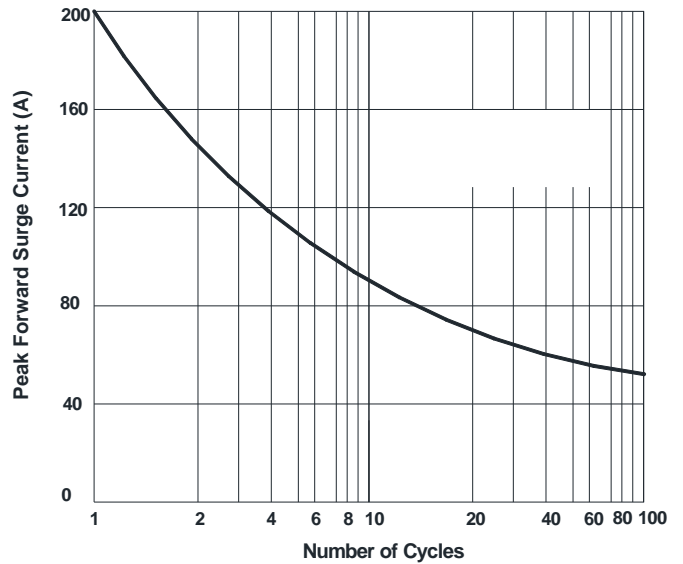


FIG.3: Typical Forward Voltage

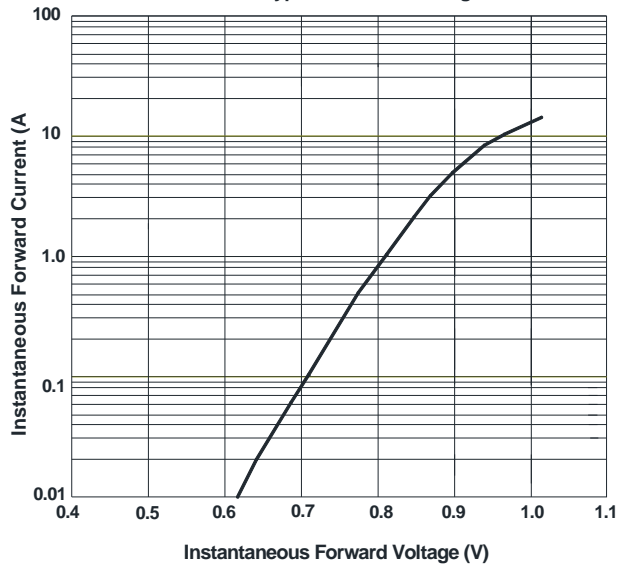
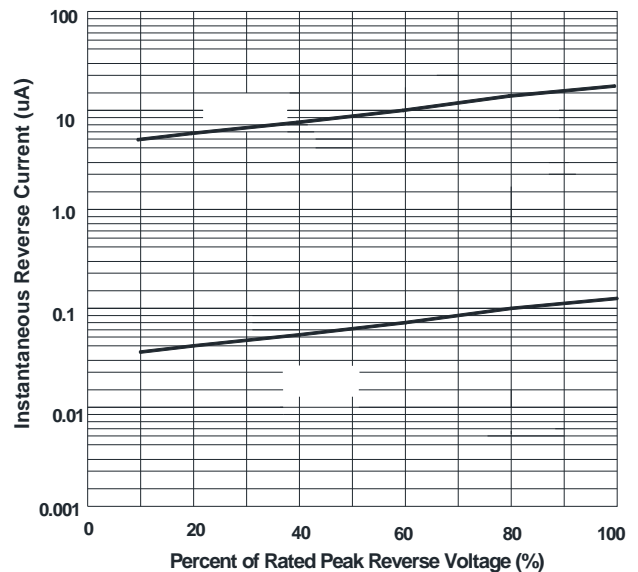


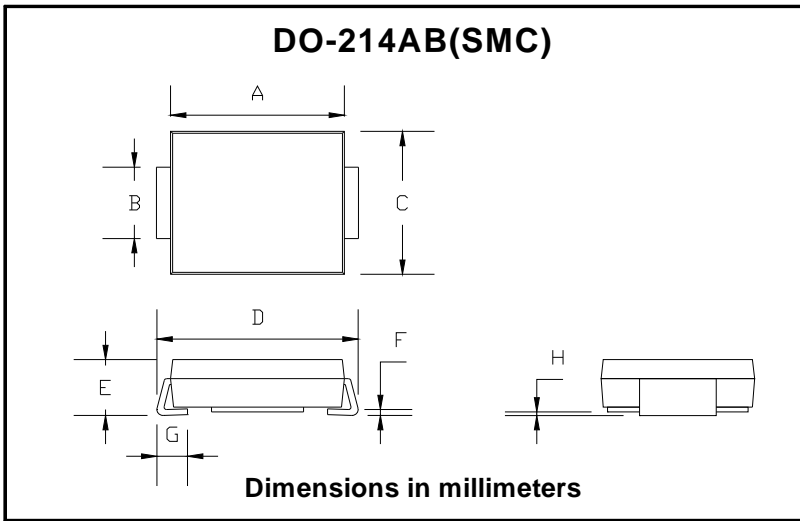
FIG.4: Typical Reverse Characteristics



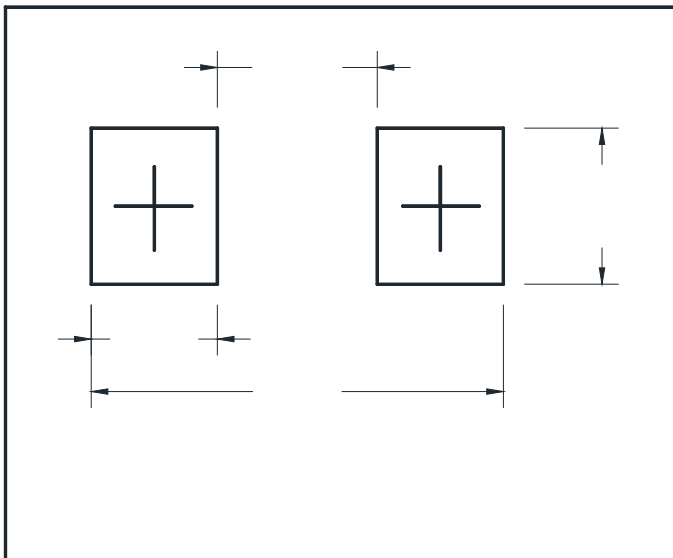


# GS10A THRU GS10M

## Outline Dimensions




## Suggested pad layout



**DO-214AB (SMC)**




# GS10A THRU GS10M

---

Disclaimer

---

---