



1.Features



2. Description

3. Applications

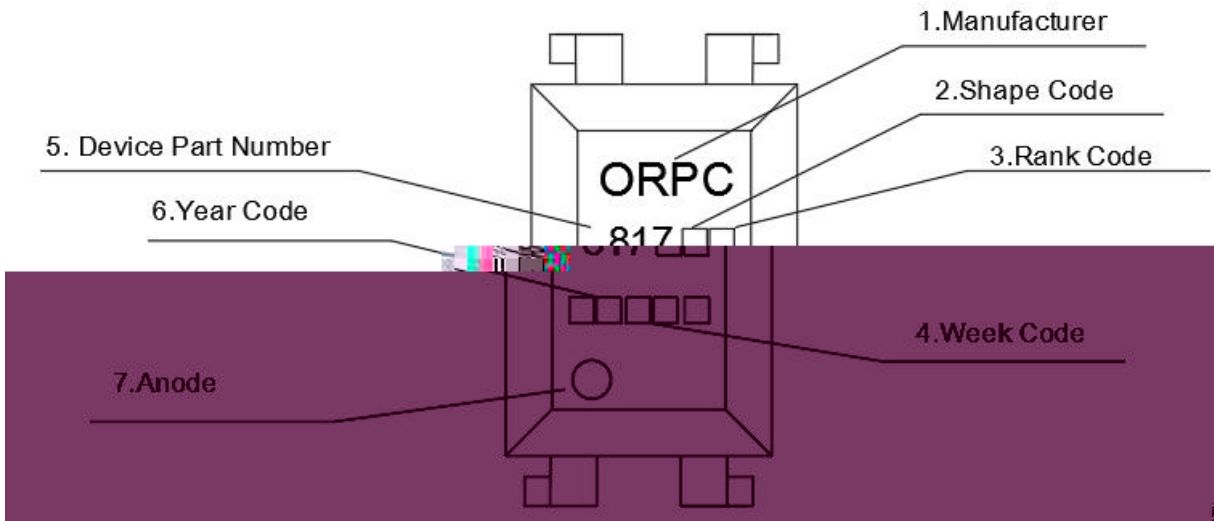


4.Absolute Maximum Ratings at Ta=25

. - ()

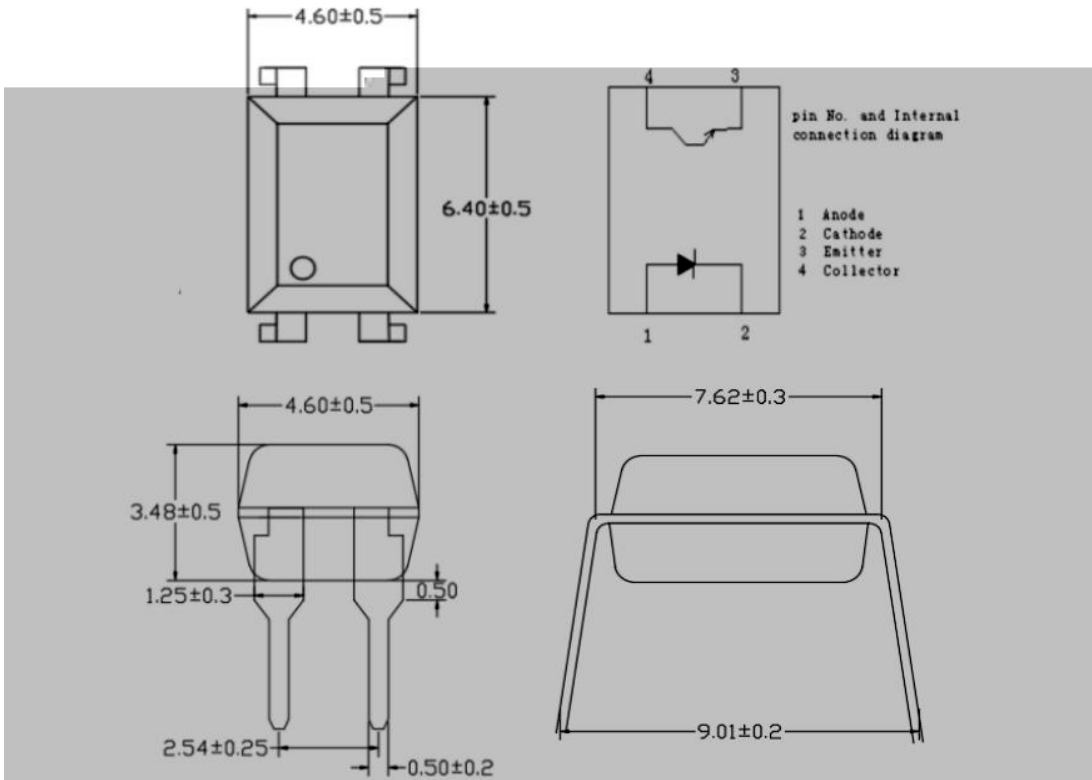
					*		

7. Naming Rule



8. Package Dimension (Unit mm)

() -



() -

