



Shenzhen Orient Components Co., Ltd

A B A3 F N .4B Ta A C Pa H a G R ,L Ga D ,S ,G a ,518172
W : _____



- (1) C a a (CTR : MIN. 50% a $I_F = 5 \text{ A}$, $V_{CE} = 5 \text{ V}$)
- (2) H - a a ($V = 5,000 \text{ V}$)
- (3) R (: TYP. 4 a $V_{CE} = 2 \text{ V}$, $I_C = 2 \text{ A}$, $R_L = 100$)
- (4) Sa a a
 - UL a (N .E323844)
 - VDE a (N .40029733)
 - CQC a (N .CQC09001029446 CQC13001086898)
 - CE a (N .AC/0431008)
 - Sa G a (N .SGCM013420170152)



- (1) ORPC-817 GaA a NPN a
- (2) T a a a a4- DIP a a a a a - a a a SMD

- (1) S (2) A (3) C
- (4) I a a a , a a
- (5) I , a a , a a
- (6) Fa - , a a
- (7) S a a

I	F a C	I_F	60
	$P a a$ (100 , 100H)	I_{FP}	1
	R V a	V_R	6
	C P	P	70
O	C a V a	V_{CEO}	80
	E a V a	V_{ECO}	6
	C C	I_C	50
	C P	P_C	150
T a C P	P	200	
*1 I a V a	V	5,000	
Ma I a V a (I a)	V_{IOTM}	10,000	
Ra I I a V a	V_{IORM}	630	
W T a	T	-55 + 110	
D T a	T	-55 + 125	
*2 S T a	T	260	

*1.AC F 1 M , R.H. = 40 60%

- I a a a
- (1) S a a a a a a
- (2) T a a - a
- (3) T a a a a a a
- *2. S 10



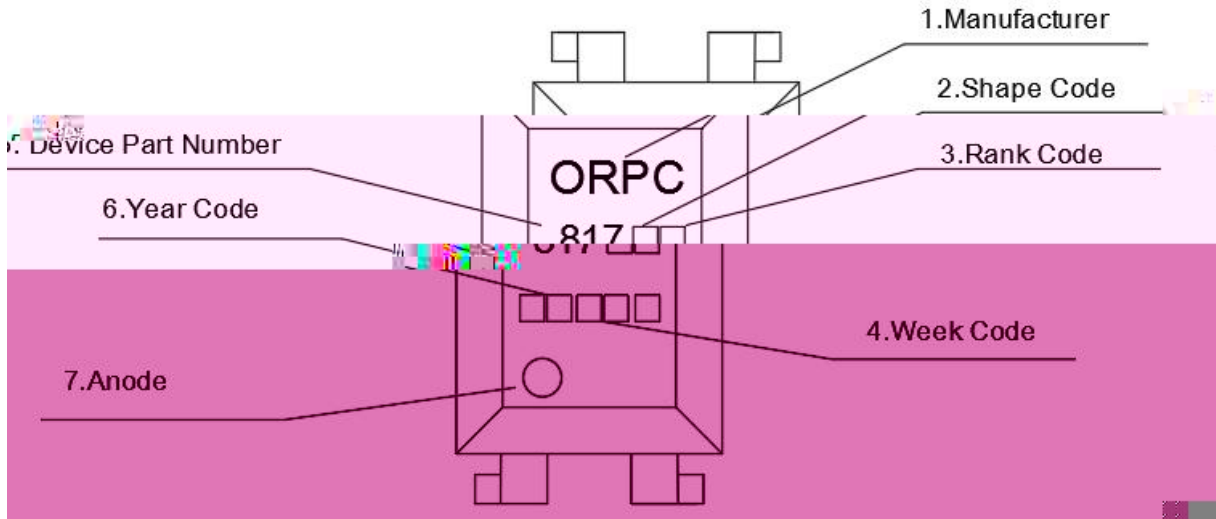
. - ()

						*		

*1 C C Ra = I_c / I_F 100% , CTR T a : 3%.

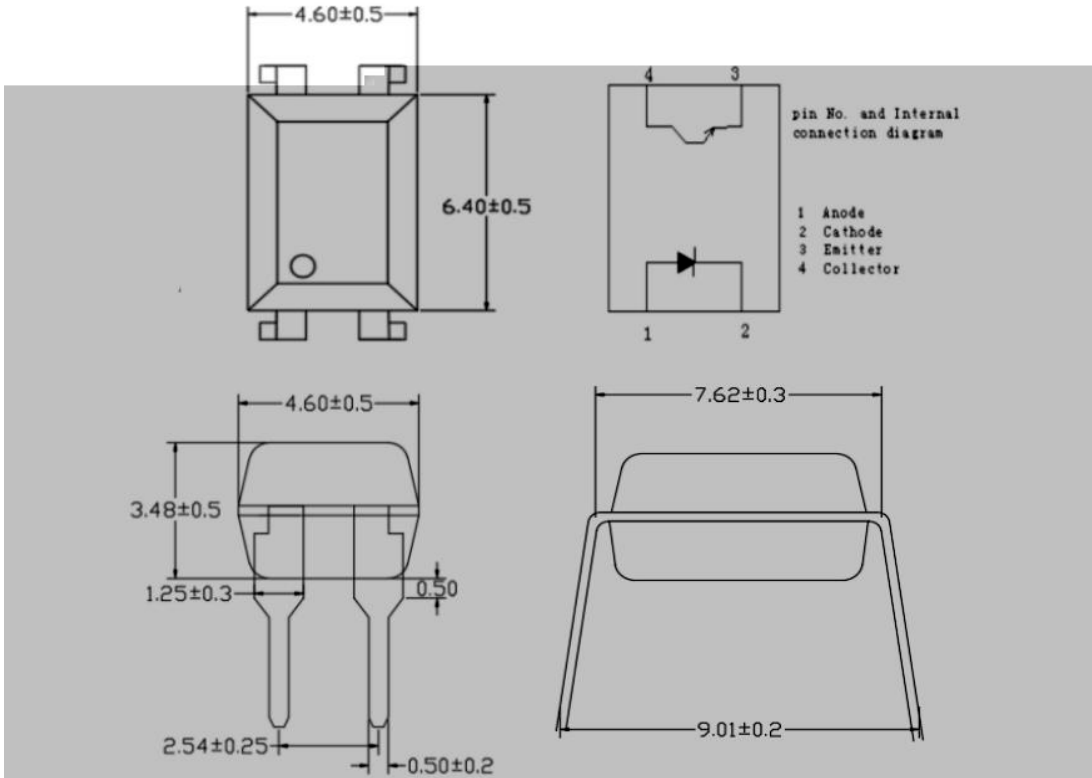


ORPC-817A	80	160
ORPC-817B	130	260
ORPC-817C	200	400
ORPC-817D	300	600
ORPC-817E	50	80
ORPC-817F	80	100
ORPC-817G	100	120
ORPC-817H	600	1000
ORPC-817I	120	140
ORPC-817J	140	180
ORPC-817K	180	220
ORPC-817L	50	100
ORPC-817M	220	260
ORPC-817N	260	300
ORPC-817O	300	340
ORPC-817P	340	380
ORPC-817Q	380	420
ORPC-817R	420	440
ORPC-817S	440	460
ORPC-817T	460	480
ORPC-817U	480	500
ORPC-817V	500	520
ORPC-817W	520	540
ORPC-817X	540	560
ORPC-817Y	560	580
ORPC-817Z	580	600



- (1) ORPC S O T L . C . L .
- (2) □ S a C .
- (3) □ □ Ra .
- (4) □ □ W .
- (5) □ □ □ D Pa N .
- (6) □ Y a C
- (7) A .
- (8) U :

() -



() -

